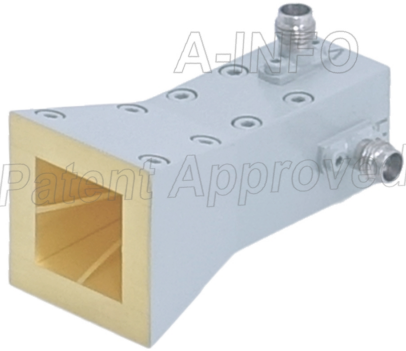


For reference only. See data sheet for the detailed specifications.

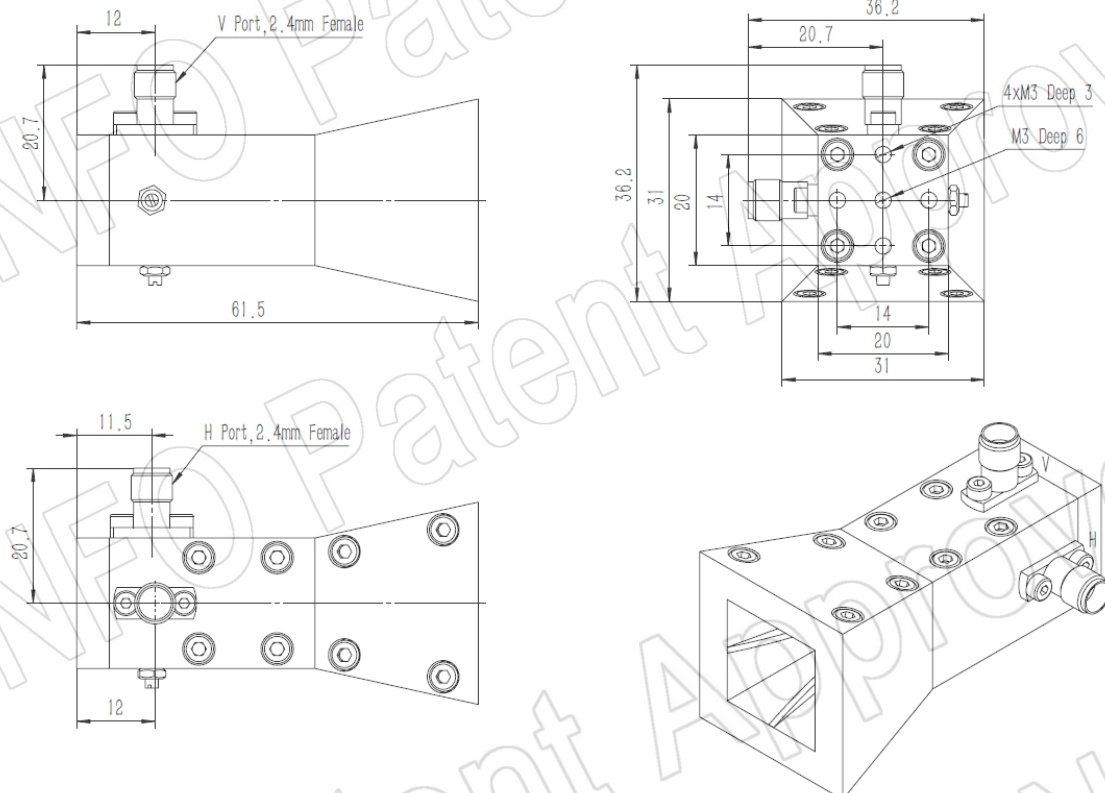
Technical Specification



| | |
|----------------------------|-------------------------|
| Frequency Range(GHz) | 18.0 – 43.5 |
| Gain(dBi) | 15 Typ. |
| Polarization | Dual Linear |
| 3dB Beamwidth(deg) | E Plane: 44 - 17 |
| | H Plane: 53 - 25 |
| Cross Pol. Isolation(dB) | 30 Typ. ; 20 Min. |
| Port to Port Isolation(dB) | 30 Typ. ; 20 Min. |
| VSWR | 2.0:1 Typ. |
| | 3.0:1 Max. |
| Connector | 2.4mm-Female |
| Power Handling(W CW) | 10 Max. |
| Material | Cu |
| Finish | Gold Plated, Gray Paint |
| Size(mm) | 36.2 x 36.2 x 61.5 |
| Net Weight(Kg) | 0.25 Around |

PATENT ID (US)
US D869447S
PATENT ID (China)
ZL202110177544.5, ZL202120347847.2, ZL201630454752.5

Outline Drawing (Size: mm)

2.4mm-Female Output (P/N: LB-SJ-180435-2.4F)

AINFO Inc.

China(Beijing):
China(Chengdu):
USA :

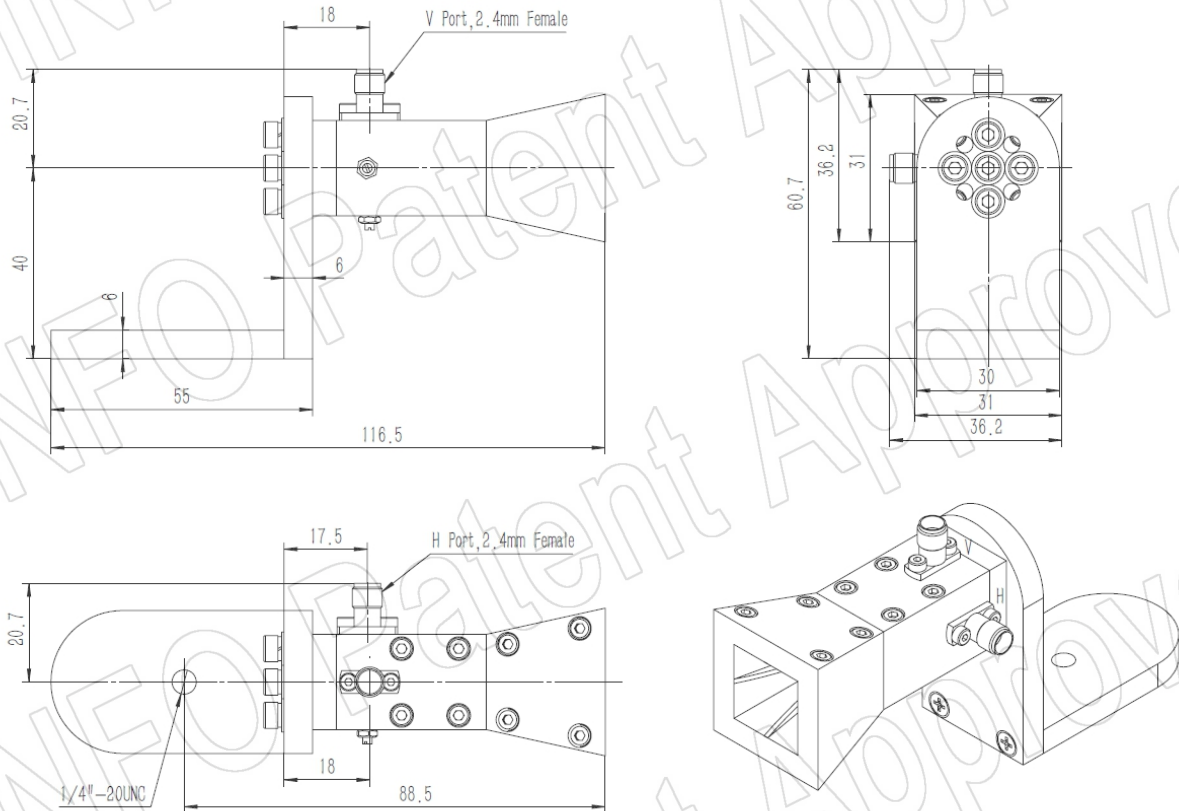
Tel: (+86) 10-6266-7326,
Tel: (+86) 28-8519-2786,
Tel: (+1) 949-639-9688,

(+86) 10-6266-7327
(+86) 28-8519-3044
(+1) 949-639-9608

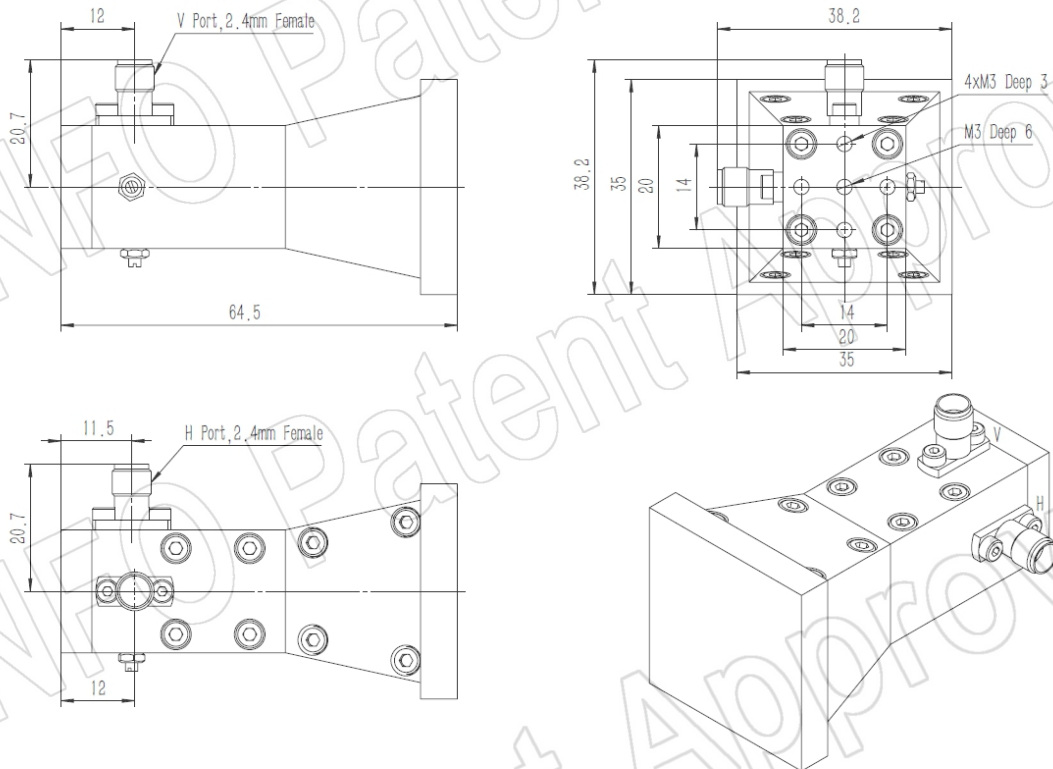
Fax: (+86) 10-6266-7379
Fax: (+86) 28-8519-3068
Fax: (+1) 949-639-9670

Website: www.ainfoinc.com
Email: sales@ainfoinc.com

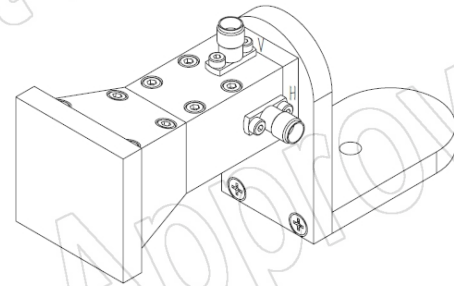
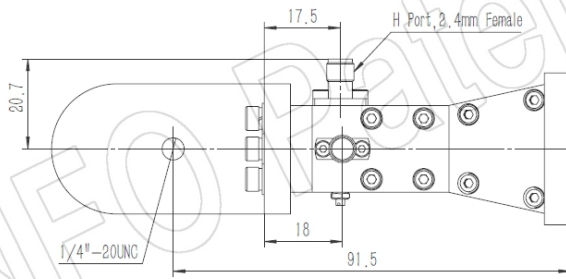
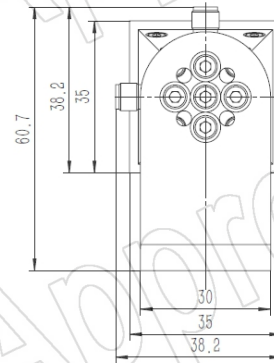
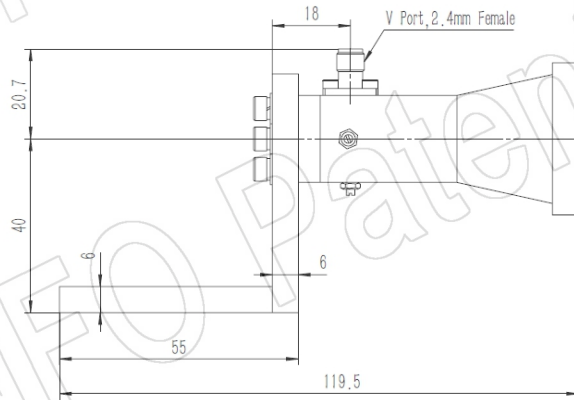
2.4mm-Female Output with L Type Mounting Bracket (Option, P/N: LB-SJ-180400-L)



2.4mm-Female Output with Radome (Option, P/N: LB-SJ-180435-2.4FSP0, Application Outdoor)

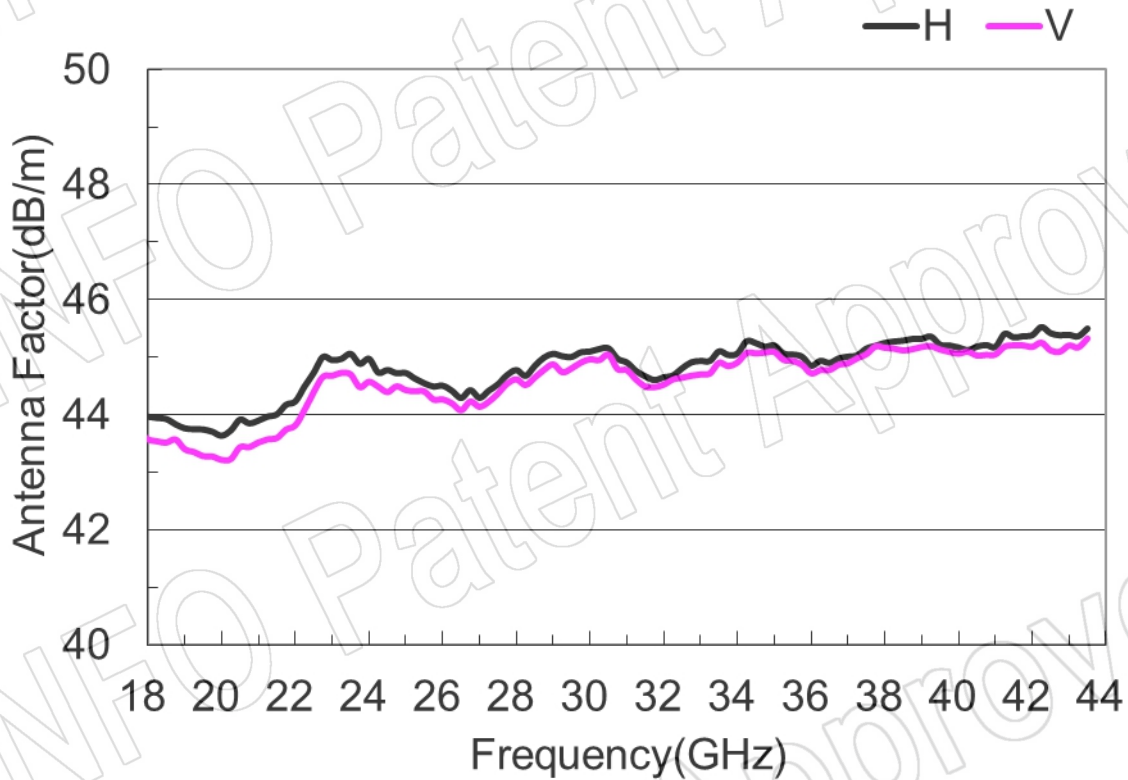
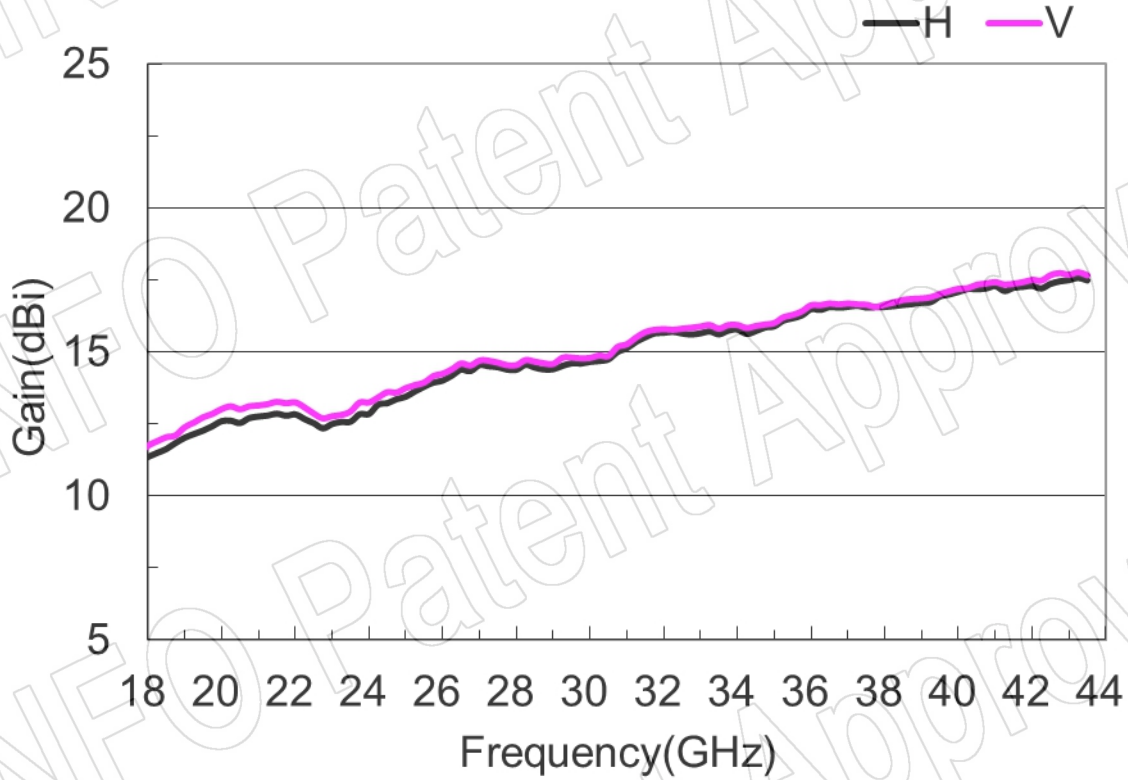


2.4mm-Female Output with L Type Mounting Bracket & Radome (Option, P/N: LB-SJ-180400-L & LB-SJ-180435-2.4FSPO, Application Outdoor)

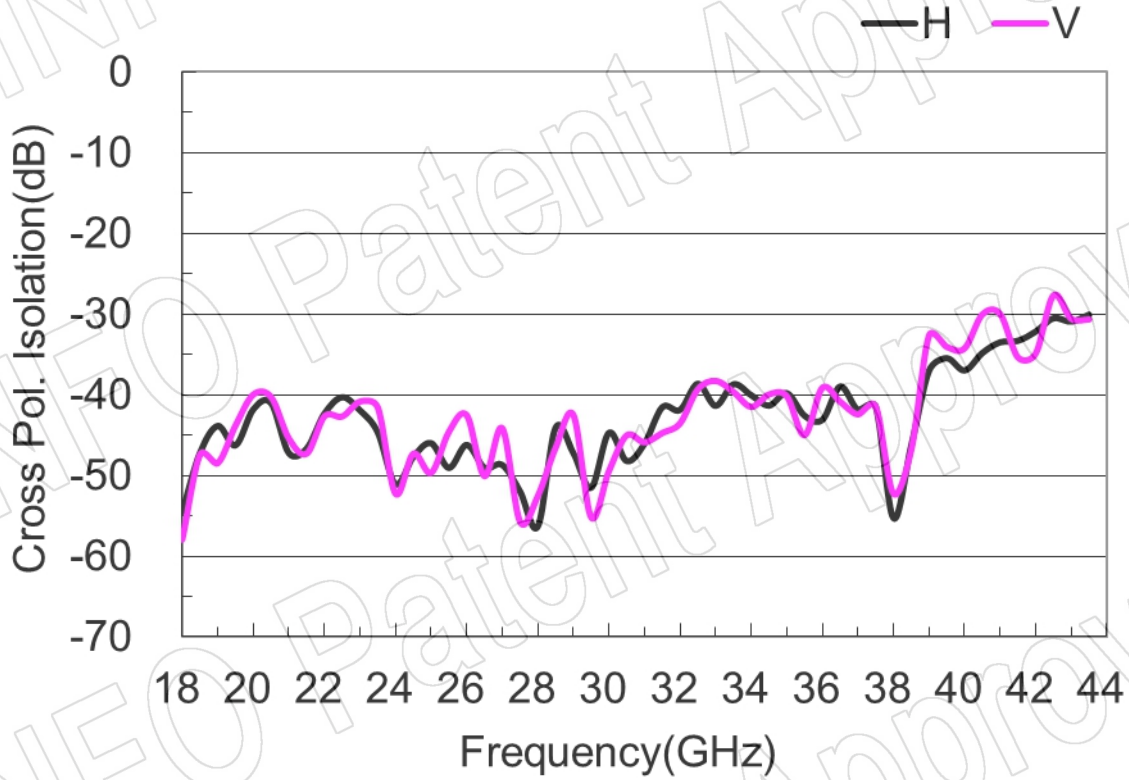


Test Results

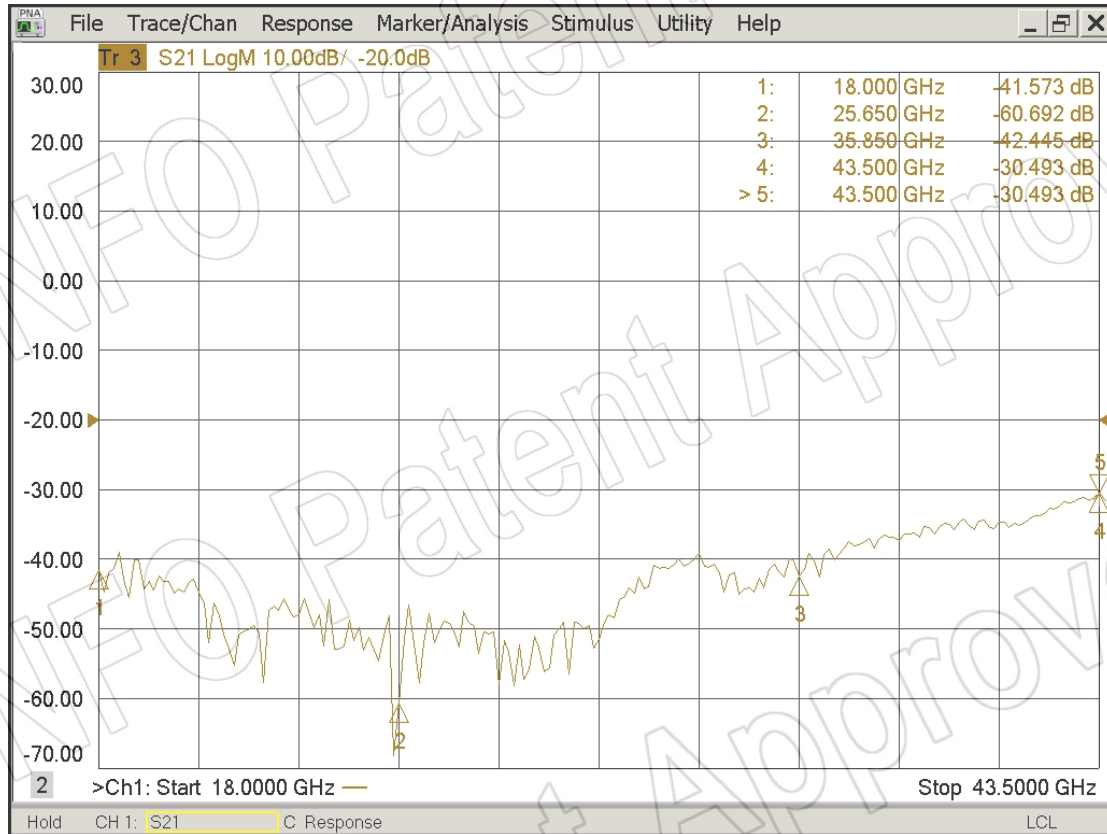
1. Gain & Antenna Factor



2. Cross Polarization Isolation

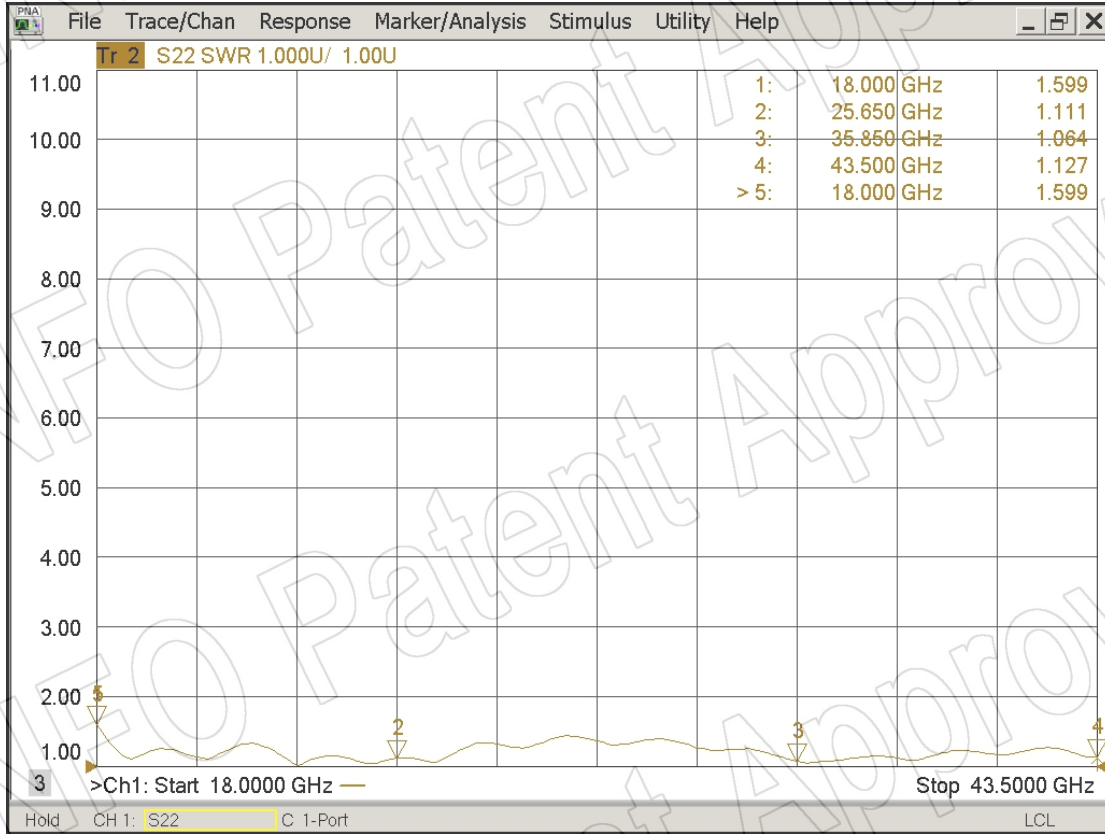


3. Port to Port Isolation

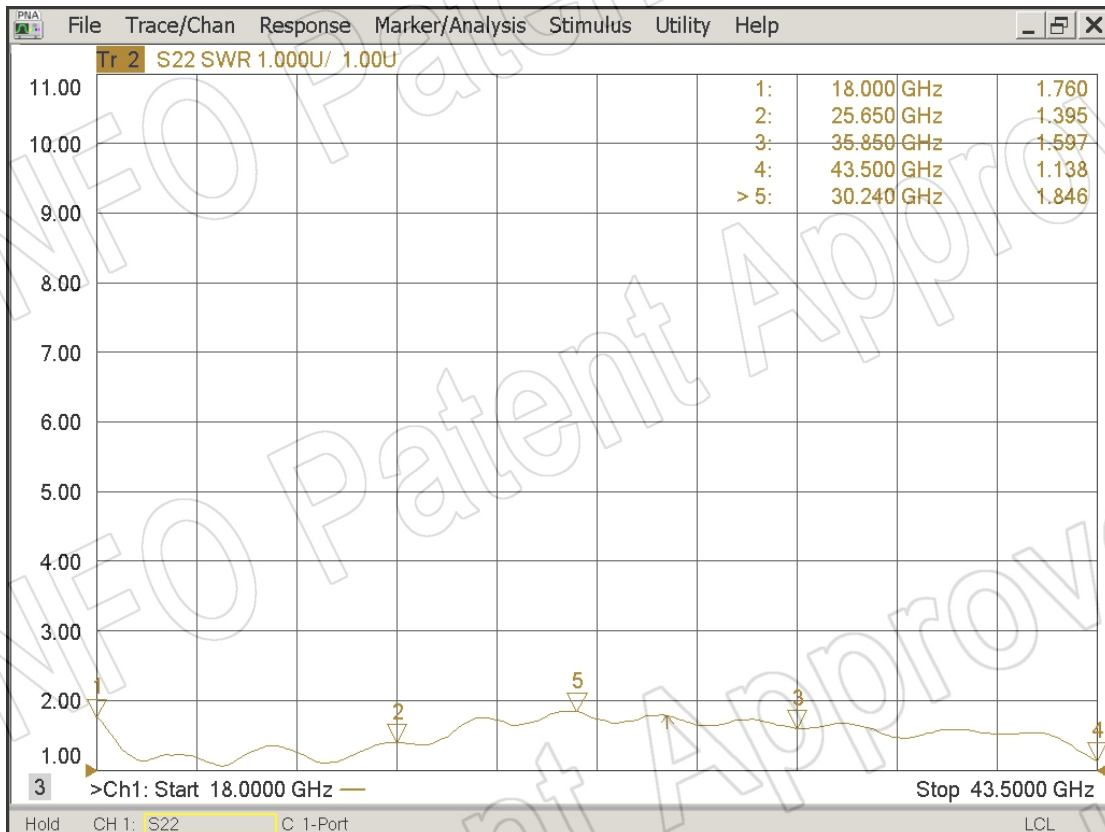


4. VSWR

Port-H



Port-V



5. Pattern

